



ZA9L SERIES ARM® ASSP

SECURE TRANSACTIONS APPLICATIONS INCLUDING:

- PAYMENT
- IDENTITY
- HEALTHCARE
- ACCESS CONTROL
- E-GOVERNMENT
- E-ADMINISTRATION

ZA9L Series ARM® ASSP

The definitive global solution for secure transactions

Overview

With more than 20 years of experience as the vendor of choice for the secure transaction industry, ZiLOG introduces the newest edition to its secure transaction product line, the ZA9L Series ASSP. The ZA9L is a high-performance 32-bit ARM-based ASSP built from the ground up specifically for the secure transactions market.

A Powerful Addition to Our Secure Transaction Product Line

The ZA9L is an EMV and PCI PED pre-certified ASSP that integrates all the security and application management functions required to build the next-generation of trusted devices including:

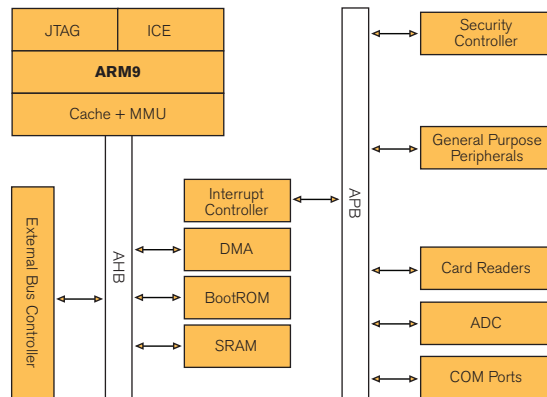
- High Performance: 200 MIPs, 32-bit RISC core
- Robust Security: Embedded security subsystem; security controller and secure memory with physical and environmental tamper sensors; secure boot mechanisms that provide system integrity and help prevent fraud
- Card Readers: Smart card and magnetic stripe readers
- Communication: Integrated modem; UARTs; SPI

The new ZA9L's highly integrated peripheral set and embedded security features minimize component count, lowers power consumption and reduces bill of materials costs, development time and manufacturing costs.

Supporting You All The Way From Design to Production

Beyond our secure hardware platform, our solution includes a full software environment and development tools. Our ZA9L POS Reference Design Kit provides an extensive array of commonly used on and off-chip drivers and ported Linux operating system. And because it is based on the ARM architecture, the architecture of choice for secure transactions, designing your device with the ZA9L allows you to take advantage of a wide variety of tools and 3rd party support available for ARM-based architectures. Our ZA9L Series ASSP offers the most interoperable, secure and integrated solution for secure transactions.

High performance, robust security and a rich feature set combine with ZiLOG's quality and industry reputation to make the ZA9L the right choice for your trusted devices.



ZA9L Block Diagram

For further information, please contact us at: securetransactions@zillog.com



EMBEDDED FOR LIFE

WWW.ZILOG.COM | 408.558.8500

ZiLOG and the ZiLOG logo are registered trademarks of ZiLOG, Inc. in the United States and in other countries.

©ZiLOG, Inc., 2007. All rights reserved.